

Plastic Pipe Welding



Electric sleeve welding unit

244



Sleeve welding units

245



Butt welding machines

246



Butt welding units

250

REMS EMSG 160

Electric sleeve welding unit

Powerful, handy unit for welding plastic drain pipes with electric sleeves in PE.

Plastic pipes and electric sleeves in PE Ø 40–160 mm

For Geberit, Akatherm-Euro, Coes, Valsir, Waviduo

REMS EMSG 160 – automatic welding. Electronic control. Acoustic and visual monitoring of welding process.

- Smallest sizes. Super-handy, light, only 0.7 kg. Can be used anywhere.
- Electronic control with micro controller for automatic adjustment of welding current (welding temperature) and welding time according to sleeve size.
- Automatic compensation of welding time in accordance with the ambient temperature.
- Acoustic and visual monitoring of welding process.
- Wide work radius through extra-long cables.
- Sturdy, shock-proof plastic casing with carrying strap. Splash-proof.



German Quality Product



Info

Supply format

REMS EMSG 160. Electric sleeve welding unit 230 V, 50 Hz, 1150 W, for welding plastic drain pipes with electric sleeves in PE made by Akatherm-Euro, Coes, Geberit, Valsir, Waviduo, Ø 40–160 mm. Electronic control, with acoustic and visual monitoring of welding process. In sturdy, shock-proof plastic casing. Welding leads 4.40 m. In a carton.

	Art.-No.	
	261001	

Accessories

Description	Art.-No.	
Case	151615	



Powerful electric tools for efficient sleeve welding.
Can be used anywhere, free-hand or on the work bench.

Plastic pipes and fittings
in PB, PE, PP, PVDF Ø 16–125 mm

REMS MSG – heating element according to DVS. High quality PTFE coating of heating spigots/sockets.

Design

Handy, light, safe. Free-hand or work bench assembly. Supplied in standard with supporting stand and bench support for mounting the unit in a horizontal or vertical position (bench support not supplied for MSG 25).

Heating element according to DVS

Plate-shaped, plane parallel heating element according to DVS. Electric heater embedded in corrosion-resistant cast aluminium for indirect heat transfer. Heating spigots and heating sockets according to DVS. High-quality, long-lasting PTFE coating prevents adherence of plastic remnants as well as oxidizing, and enables easy cleaning. Ideal temperature distribution and constant temperature at the complete working area. Fastening screws in stainless steel.

Temperature and temperature control

Choice of

- adjustable temperature 180–290°C, preadjusted to 260°C for PP pipes, with electronic temperature control with tight tolerance (EE) or
- Fixed temperature for PP pipes at 263°C, with electronic temperature control with a tolerance of +/- 1% (FE).

The electronic and manual temperature control automatically controls the preadjusted temperature within the permitted range according to DVS. Temperature control lamp and power control lamp.



Supply format

REMS MSG. Sleeve welding unit for plastic pipes and fittings in PB, PE, PP, PVDF. Heating element 230 V, 50–60 Hz, without PTFE-coated heating spigots and heating sockets. Optionally adjustable temperature 180–290°C, pre-set for PP pipes at 260°C, with electronic temperature control (EE) or fixed temperature for PP pipes at 263°C, with electronic temperature control (FE). Support stand. Bench support for mounting the welding unit in a horizontal or vertical position (not for MSG 25). Hexagon key for assembly and dismantling of heating spigots and heating sockets. In a carton.

Description	Pipes Ø mm	Power W	Art.-No.
25 EE	16–25	500	256020
63 FE	16–63	800	256213
63 EE	16–63	800	256220
125 EE	16–125	1400	256320

Other voltages available.

Supply format

REMS MSG 63 FE Set. As REMS MSG 63 FE, but with PTFE-coated heating spigots, heating sockets for Ø 20, 25, 32 mm. Fastening screws in stainless steel. In steel case.

Description	Pipes Ø mm	Power W	Art.-No.
	16–63	800	256233

Other voltages available.

Supply format

REMS MSG 63 EE Set. As REMS MSG 63 EE, but with PTFE-coated heating spigots, heating sockets for Ø 20, 25, 32 mm. Fastening screws in stainless steel. In steel case.

Description	Pipes Ø mm	Power W	Art.-No.
	16–63	800	256240

Other voltages available.

Accessories

Description	Pipes Ø mm	Art.-No.
Heating spigot, heating socket, fastening screw in stainless steel	16	256400
	17	256410
	18	256420
	19	256430
	20	256440
	25	256450
	32	256460
	40	256470
	50	256480
	63	256490
	75	256500
	90	256510
	110	256520
125	256530	

Steel case

REMS MSG 25 , REMS MSG 63	256242
REMS MSG 125	256342



REMS SSM 160RS

Butt welding machine

Handy, easy-to-carry compact machine. Complete only 45 kg. Ideal for sanitary installations and installation of drain pipes, chimney reconstruction with PVDF pipes. For job site and workshop.

Plastic pipes and fittings

in PB, PE, PP, PVDF

Ø 40–160 mm

PE Ø 40–90 mm	SDR ≥ 6
PE Ø 40–110 mm	SDR ≥ 9
PE Ø 40–125 mm	SDR ≥ 11
PE Ø 40–140 mm	SDR ≥ 17
PE Ø 40–160 mm	SDR ≥ 21

REMS SSM 160RS – ideal for the pipe fitter.
Light and compact. Heating element according to DVS. Electronic temperature control.
High-quality PTFE coating. Powerful facing cutter.
Closed facing cutter housing.

Design

Light and compact. Low weight, complete only 60 kg.

Can be easily carried by one person.

- Base frame in cast aluminium
- Free suspension of butt welding unit REMS SSG 180 for exact alignment of the faces to be welded
- Electric facing cutter unit for plane-parallel machining of pipe ends
- Smooth sliding, roller-bearing mounting of butt welding unit and electric facing cutter unit
- Quick clamping device, also suitable for angular branches.
- Pressing device, clear scale for easy reading of jointing pressure, clamping handle for pressure holding
- Can be used on the workbench or on the tubular stand provided as standard (= sub-frame = transport device).

Heating element according to DVS

Plate-shaped, plane parallel heating element according to DVS. Electric heater embedded in corrosion-resistant cast aluminium for indirect heat transfer.

High-quality, long-lasting PTFE coating prevents adherence of plastic remnants as well as oxidizing, and enables easy cleaning. Ideal temperature distribution and constant temperature at the complete working area. Protective cover for heating element.

Electronic temperature control

Adjustable temperature 180–290°C, preset for PE pipes. The electronic temperature control automatically controls the preset temperature within the permitted range according to DVS. Temperature control lamp and power control lamp.

Facing cutter unit

Electric facing cutter unit with special, high torque universal motor, 500 W, for plane-parallel machining of one or both pipe ends according to DVS. Fast positioning of facing cutter with proven safety switch. Closed facing cutter housing. Specially hardened and specially ground planing blades guarantee easy, vibration-free planing.

Quick clamping device, also for angular branches

Sturdy quick clamping device made of nickel-plated steel, consisting of 2 vices with 2 clamping inserts each for pipes of Ø 40, 50, 56, 63, 75, 90, 110, 125, 135, 140, 160 mm. Also suitable for angular branches.

Pipe supports

Multiple adjustment, easy positioning of pipe supports for pipes Ø 160 mm for supporting and easy axial alignment of pipes and fittings. 2 pipe support inserts each for pipes Ø 40, 50, 56, 63, 75, 90, 110, 125, 135, 140 mm.

Supply format

REMS SSM 160RS. Butt welding machine for plastic pipes and fittings in PB, PE, PP, PVDF, PE Ø 40–90 mm SDR ≥ 6, PE Ø 40–110 mm SDR ≥ 9, PE Ø 40–125 mm SDR ≥ 11, PE Ø 40–140 mm SDR ≥ 17, PE Ø 40–160 mm SDR ≥ 21. Butt welding unit with PTFE-coated heating element 230 V, 50–60 Hz, 1200 W. Adjustable temperature 180–290°C, preset for PE pipes. Electronic temperature control. Protective cover for heating element. Electric planing device 230 V, 50–60 Hz, 500 W. Pressing device. Quick clamping device, also for angular branches, consisting of 2 vices with 2 clamping inserts each Ø 40, 50, 56, 63, 75, 90, 110, 125, 135, 140, 160 mm. 2 pipe rests Ø 160 mm with pipe rest inserts Ø 40, 50, 56, 63, 75, 90, 110, 125, 135, 140 mm. Work key. Steel case for pipe support inserts and clamp inserts. Tubular stand = base frame = carrying device.

Art.-No.	
252026	

Accessories

Description	Art.-No.	
Planing blade (piece)	252103	



REMS SSM 160KS

Butt welding machine

Powerful, proven, easy-to-transport compact machine. Ideal for sanitary installation, drain pipe installation, chimney reconstruction with PVDF pipes. For job site and workshop.

Plastic pipes and fittings		
in PB, PE, PP, PVDF		Ø 40–160 mm
PE Ø 40–90 mm	SDR ≥ 6	
PE Ø 40–110 mm	SDR ≥ 9	
PE Ø 40–125 mm	SDR ≥ 11	
PE Ø 40–140 mm	SDR ≥ 17	
PE Ø 40–160 mm	SDR ≥ 21	

REMS SSM 160KS – ideal for the pipe fitter. Heating element according to DVS. Electronic temperature control. High-quality PTFE coating. Powerful facing cutter. Closed facing cutter housing.

Design

Compact, robust, job site-proven. Machine on sheet metal base weighs 101 kg. Easy to carry.

- Base frame in aluminium cast
- Free suspension of butt welding unit REMS SSG 180 for exact alignment of the faces to be welded
- Electric facing cutter unit for plane-parallel machining of pipe ends
- Smooth sliding, roller-bearing mounting of butt welding unit and electric facing cutter unit
- Quick clamping device, also suitable for angular branches.
- Pressing device, clear scale for easy reading of jointing pressure, clamping handle for pressure holding
- Machine on sheet steel base with built-in drawer for clamping and pipe rest inserts
- Suitable for use on a work bench or on the standard supplied sheet metal cabinet (= carrying case).

Heating element according to DVS

Plate-shaped, plane-parallel heating element according to DVS. Electric heater embedded in corrosion-resistant cast aluminium for indirect heat transfer. High-quality, long-lasting PTFE coating prevents adherence of plastic remnants as well as oxidizing, and enables easy cleaning. Ideal temperature distribution and constant temperature at the complete working area. Protective cover for heating element.

Electronic temperature control

Adjustable temperature 180–290°C, preset for PE pipes. The electronic temperature control automatically controls the preset temperature within the permitted range according to DVS. Temperature control lamp and power control lamp.

Facing cutter unit

Electric facing cutter unit with special, high torque universal motor, 500 W, for plane-parallel machining of one or both pipe ends according to DVS. Fast positioning of facing cutter with proven safety switch. Closed facing cutter housing. Specially hardened and specially ground planing blades guarantee easy, vibration-free planing.

Quick clamping device, also for angular branches

Sturdy quick clamping device made of nickel-plated steel, consisting of 2 vices with 2 clamping inserts each for pipes of Ø 40, 50, 56, 63, 75, 90, 110, 125, 135, 140, 160 mm. Also suitable for angular branches.

Pipe supports

Multiple adjustment, easy positioning of pipe supports for pipes of Ø 160 mm for supporting and easy axial alignment of pipes and fittings. 2 pipe support inserts each for pipes Ø 40, 50, 56, 63, 75, 90, 110, 125, 135, 140 mm.



Supply format

REMS SSM 160KS. Butt welding machine for plastic pipes and fittings in PB, PE, PP, PVDF, PE Ø 40–90 mm SDR ≥ 6, PE Ø 40–110 mm SDR ≥ 9, PE Ø 40–125 mm SDR ≥ 11, PE Ø 40–140 mm SDR ≥ 17, PE Ø 40–160 mm SDR ≥ 21. Butt welding unit with PTFE-coated heating element 230 V 50–60 Hz, 1200 W. Adjustable temperature 180–290°C, preset for PE pipes. Electronic temperature control. Protective cover for heating element. Electric planing device 230 V, 50-60 Hz, 500 W. Pressing device. Quick clamping device, also for angular branches, consisting of 2 vices with 2 clamping inserts each Ø 40, 50, 56, 63, 75, 90, 110, 125, 135, 140, 160 mm. 2 pipe rests Ø 160 mm with pipe rest inserts Ø 40, 50, 56, 63, 75, 90, 110, 125, 135, 140 mm. Sheet steel base with built-in drawer. Work key. Closed sheet metal cabinet = carrying case.

	Art.-No.
	252046

Accessories

Description	Art.-No.
Planing blade (piece)	252103

REMS SSM 250KS

Butt welding machine

Powerful, proven, easy-to-transport compact machine. Ideal for sanitary installation, drain pipe installation, chimney reconstruction with PVDF pipes. For job site and workshop.

Plastic pipes and fittings

in PB, PE, PP, PVDF

Ø 75–250 mm

PE Ø 75–140 mm	SDR ≥ 6
PE Ø 75–160 mm	SDR ≥ 9
PE Ø 75–180 mm	SDR ≥ 11
PE Ø 75–200 mm	SDR ≥ 13.6
PE Ø 75–225 mm	SDR ≥ 17.6
PE Ø 75–250 mm	SDR ≥ 22

REMS SSM 250KS – compact and robust.

Design

Compact, robust, job site-proven. Easy to carry. Machine on sheet metal base weighs 109 kg.

- Base frame in aluminium cast
- Free suspension of butt welding unit for exact alignment of the faces to be welded
- Electric facing cutter unit for plane-parallel machining of pipe ends
- Smooth sliding, roller-bearing mounting of butt welding unit and electric facing cutter unit
- Quick clamping device, also suitable for angular branches.
- Pressing device, clear scale for easy reading of jointing pressure, clamping handle for pressure holding
- Machine on sheet steel base with built-in drawer for clamping and pipe rest inserts.
- Suitable for use on a work bench or on the standard supplied sheet metal cabinet (= carrying case).

Heating element according to DVS

Plate-shaped, plane-parallel heating element according to DVS. Electric heater embedded in corrosion-resistant cast aluminium for indirect heat transfer. High-quality, long-lasting PTFE coating prevents adherence of plastic remnants as well as oxidizing, and enables easy cleaning. Ideal temperature distribution and constant temperature at the complete working area.

Electronic temperature control

Adjustable temperature 180–290°C, preset for PE pipes. The electronic temperature control automatically controls the preset temperature within the permitted range according to DVS. Temperature control lamp and power control lamp.

Facing cutter unit

Electric facing cutter unit with special, high torque universal motor, 500 W, for plane-parallel machining of one or both pipe ends according to DVS. Fast positioning of facing cutter with proven safety switch. Closed facing cutter housing. Specially hardened and specially ground planing blades guarantee easy, vibration-free planing.

Quick clamping device for angular branches

Sturdy quick clamping device made of nickel-plated steel which grips the pipe all round, consisting of 2 clamps Ø 250 mm with jaws Ø 250 mm, with 2 clamping jaws and 2 clamping inserts each for pipes of Ø 75, 90, 110, 125, 160, 200 mm. Also suitable for angular branches. Clamping jaws and clamping inserts available for pipes of Ø 140, 180, 225 mm.

Pipe supports

Multiple adjustment, easy positioning of pipe supports for supporting and easy axial alignment of pipes and fittings. 2 pipe support inserts each for pipes Ø 75, 90, 110, 125, 140, 160, 180, 200, 225, 250 mm. Pipe rest inserts available for pipes of Ø 140, 180, 225 mm.



Supply format

REMS SSM 250K. Butt welding machine for plastic pipes and fittings in PB, PE, PP, PVDF. PE Ø 75–140 mm SDR ≥ 6, PE Ø 75–160 mm SDR ≥ 9, PE Ø 75–180 mm SDR ≥ 11, PE Ø 75–200 mm SDR ≥ 13.6, PE Ø 75–225 mm SDR ≥ 17.6, PE Ø 75–250 mm SDR ≥ 22. Butt welding unit with PTFE-coated heating element 230 V, 50–60 Hz, 1300 W. Adjustable temperature 180–290°C, preset for PE pipes. Electronic temperature control. Electric facing cutter unit 230 V, 50–60 Hz, 500 W. Quick clamping device, also for angular branches, consisting of 2 clamps Ø 250 mm with jaws Ø 250 mm, with 2 clamping jaws and 2 clamping inserts each for pipes of Ø 75, 90, 110, 125, 160, 200 mm. 2 pipe rests with pipe rest inserts Ø 75, 90, 110, 125, 160, 200, 250 mm. Sheet steel base with built-in drawer. Work key. Closed sheet metal cabinet = carrying case.

	Art.-No.
	254025

Accessories

Description	Art.-No.
Planing blade (piece)	254103

REMS SSM 315RF

Butt welding machine

Compact, easy-to-transport high-performance machine for sanitary installation, drain pipe installation, chimney reconstruction with PVDF pipes. For job site and workshop.

Plastic pipes and fittings
in PB, PE, PP, PVDF

Ø 90–315 mm

PE Ø 90–180 mm	SDR ≥ 6
PE Ø 90–200 mm	SDR ≥ 7.4
PE Ø 90–225 mm	SDR ≥ 9
PE Ø 90–250 mm	SDR ≥ 13.6
PE Ø 90–280 mm	SDR ≥ 17
PE Ø 90–315 mm	SDR ≥ 21

REMS SSM 315RF – convenient for job site and workshop.

Design

Compact, robust, job site-proven. Weight including tubular stand on wheels 154 kg.

- Base frame in aluminium cast
- Free suspension of butt welding unit for exact alignment of the faces to be welded
- Electric facing cutter unit for plane-parallel machining of pipe ends
- Smooth sliding, roller-bearing mounting of butt welding unit and electric facing cutter unit
- Quick clamping device
- Pressing device, clear scale for easy reading of jointing pressure, clamping handle for pressure holding
- Standard supply with tubular wheel stand for secure standing and easy transport.

Heating element according to DVS

Plate-shaped, plane-parallel heating element according to DVS. Electric heater embedded in corrosion-resistant cast aluminium for indirect heat transfer. High-quality, long-lasting PTFE coating prevents adherence of plastic remnants as well as oxidizing, and enables easy cleaning. Ideal temperature distribution and constant temperature at the complete working area.

Electronic temperature control

Adjustable temperature 180–290°C, preset for PE pipes. The electronic temperature control automatically controls the preset temperature within the permitted range according to DVS. Temperature control lamp and power control lamp.

Facing cutter unit

Electric facing cutter unit with special, high torque universal motor, 500 W, for plane-parallel machining of one or both pipe ends according to DVS. Fast positioning of facing cutter with proven safety switch. Closed facing cutter housing. Specially hardened and specially ground planing blades guarantee easy, vibration-free planing.

Quick clamping device

Sturdy quick clamping devices made of nickel-plated steel which grip the pipe all round, for pipes of Ø 315 mm. 4 clamping inserts each for pipes of Ø 90, 110, 125, 160, 200, 250 mm. Clamping inserts available for pipes of Ø 140, 180, 225, 280 mm.

Pipe supports

Multiple adjustment, easy positioning of pipe supports for pipes Ø 315 mm for supporting and easy axial alignment of pipes and fittings. 2 pipe rest inserts each for pipes of Ø 90, 110, 125, 160, 200, 250 mm. Pipe rest inserts available for pipes of Ø 140, 180, 225, 280 mm.



Supply format

REMS SSM 315RF. Butt welding machine for plastic pipes and fittings in PB, PE, PP, PVDF. PE Ø 90–180 mm SDR ≥ 6, PE Ø 90–200 mm SDR ≥ 7.4, PE Ø 90–225 mm SDR ≥ 9, PE Ø 90–250 mm SDR ≥ 13.6, PE Ø 90–280 mm SDR ≥ 17, PE Ø 90–315 mm SDR ≥ 21. Butt welding unit with PTFE-coated heating element 230 V, 50–60 Hz, 3000 W. Adjustable temperature 180–290°C, preset for PE pipes. Electronic temperature control. Electric facing cutter unit 230 V, 50–60 Hz, 500 W. Pressing device. 2 quick clamping devices Ø 315 mm with 2 clamping inserts each for pipes of Ø 90, 110, 125, 160, 200, 250 mm. 2 pipe supports Ø 315 mm with pipe support inserts Ø 90, 110, 125, 160, 200, 250 mm. Ring spanner. Boxes for clamping and pipe rest inserts. Tubular stand on wheels.

	Art.-No.
	255020



Accessories

Description	Art.-No.
Planing blade (piece)	255103



Powerful electric tools for efficient butt welding.
Can be used anywhere, free-hand or on the work bench.

Plastic pipes and fittings
in PB, PE, PP, PVDF ≤ Ø 280 mm

**REMS SSG – heating element according to DVS.
Electronic temperature control.
High-quality PTFE coating.**

Design

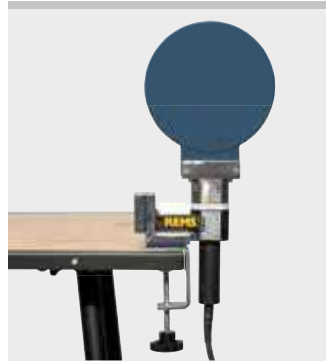
Handy, light, safe. Free-hand or work bench assembly. Supplied as standard with supporting stand. Bench support available as accessory for mounting the unit in a horizontal or vertical position.

Heating element according to DVS

Plate-shaped, plane parallel heating element according to DVS. Electric heater embedded in corrosion-resistant cast aluminium for indirect heat transfer. High-quality, long-lasting PTFE coating prevents adherence of plastic remnants as well as oxidizing, and enables easy cleaning. Ideal temperature distribution and constant temperature at the complete working area.

Electronic temperature control

Adjustable temperature 180–290°C, preset for PE pipes. The electronic temperature control automatically controls the preset temperature within the permitted range according to DVS. Temperature control lamp and power control lamp.



Info



Supply format

REMS MSG. Butt welding unit for plastic pipes and fittings in PB, PE, PP, PVDF. PTFE-coated heating element 230 V, 50–60 Hz. Adjustable temperature 180–290°C, preset for PE pipes. Electronic temperature control. Support stand. In a carton.

Description	Heating element Ø mm	Pipes ≤ Ø mm	Power W	Art.-No.
110/45° EE	125	110	500	250020
125 EE	145	125	700	250120
180 EE	200	180	1200	250220
280 EE	300	280	1300	250320

Accessories

Description	Art.-No.
Bench support for mounting the unit in a horizontal or vertical position REMS SSG 110/45°, 125, 180 REMS SSG 280	250041 250341
Steel case REMS SSG 110/45° REMS SSG 125 REMS SSG 180 REMS SSG 280	250042 250142 250242 250342
Protection cover for heating element REMS SSG 110, 110/45°, 125 REMS SSG 180 REMS SSG 280	250143 250243 250343

